

BRISTAN

TAPS & SHOWERS

Installation Instructions & User Guide

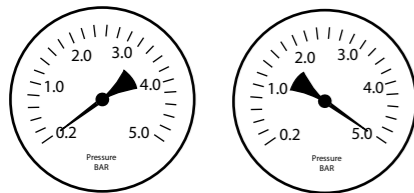
Please leave these instructions with the end user

Product code: VAC BAS C MT (D4)

Specifications

Dynamic Water Pressure

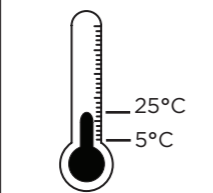
Min: 0.2 bar Max: 5.0 bar



Maximum Static Pressure: 10.0 bar

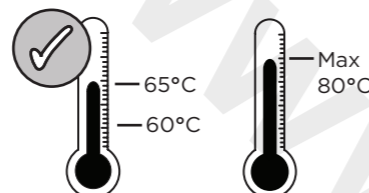
Inlet Water Temperature

Cold Water Supply



Min: 5°C Max: 25°C

Hot Water Supply



60-65°C recommended
80°C Maximum

Inlet Connections



M12 x 15mm
Copper Tails

Tools You'll Need



Phillips Screwdriver Adjustable Spanner Hexagonal Keys

Prior to Installation

All products manufactured and supplied by Bristan are safe provided they are installed, used correctly and receive regular maintenance in accordance with these instructions.

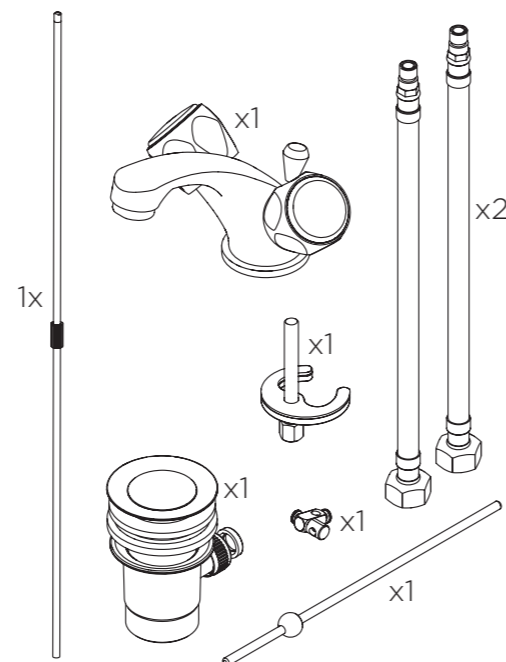
This product has been tested to the Water Regulations Advisory Scheme (WRAS) and satisfies the requirements of the Water Supply (Water Fittings) Regulations 1999 and current bylaws. For full Installation Requirements & Notes (IRN) please visit www.wras.co.uk/directory.

We recommend isolation valves to be fitted to the inlet water supplies to ensure ease of future maintenance.

Before installing these taps the water supply must be thoroughly flushed in order to remove any swarf, solder etc.

This product must not be modified in any way as this will invalidate the guarantee.

Pack Contents



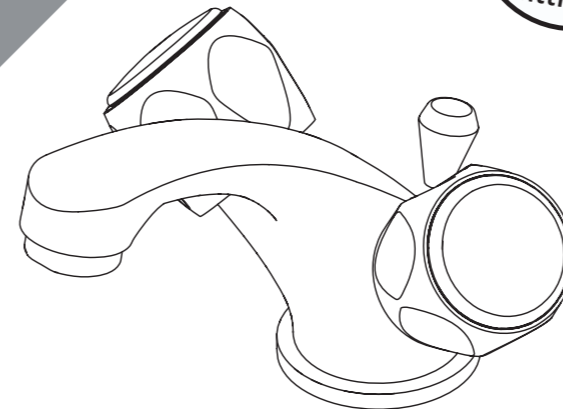
Spare Parts

To replace any spare parts for your tap, why not scan the QR Code or visit www.bristan.com and search for your product.



Installation

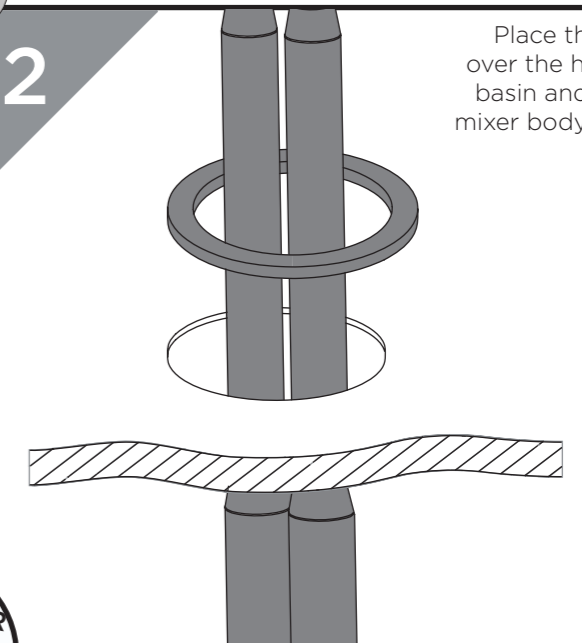
1



Fit the mixer body to the basin using the 'C' plate fixing kit.

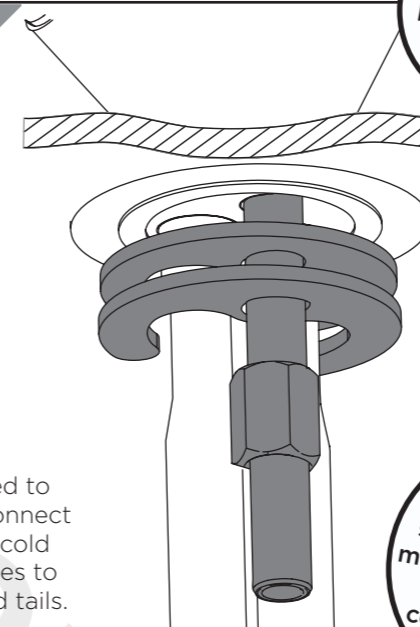
TIP
Prefit mixer to the basin before fitting.

2



Place the washer over the hole in the basin and feed the mixer body and tails through.

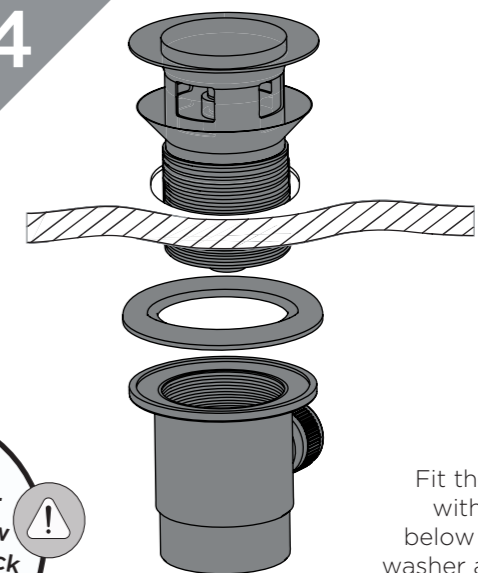
3



Once secured to the basin, connect the hot and cold water supplies to the threaded tails.

REMEMBER
Hot on the left, cold on the right!

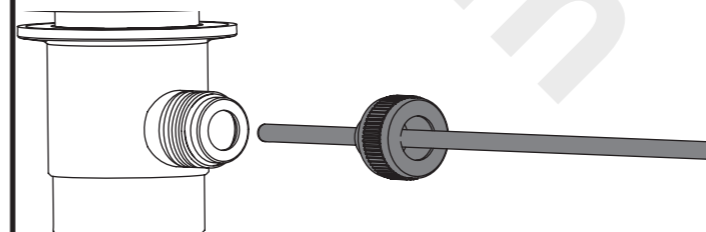
4



Fit the pop up waste, with the flat washer below and the shaped washer above the basin.

IMPORTANT
Turn on water supply for a few minutes and check all joints and connections for any leaks.

5

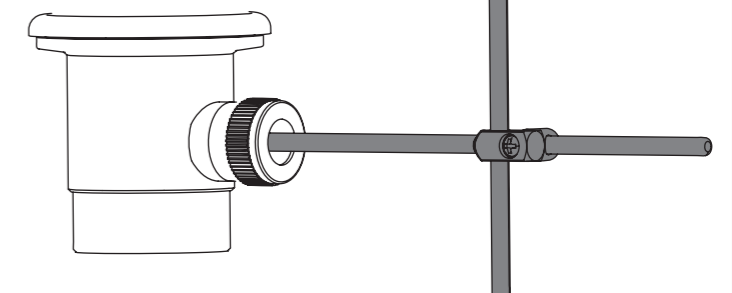


Place the washer and waste body plate onto the horizontal arm. Screw the waste body plate onto the lower waste body.

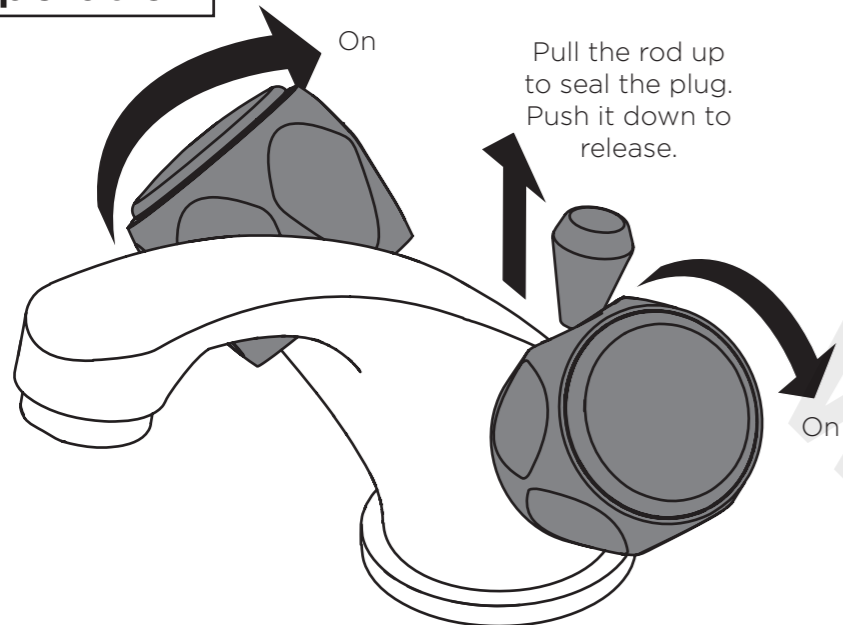
6

Push the vertical rod through the back of the basin tap.

Connect the rods using the pop up connector. Tighten screws to secure.



Operation



Pull the rod up to seal the plug. Push it down to release.

General Cleaning

Bristan products are made from premium materials, with hand polishing and electroplated finishes.

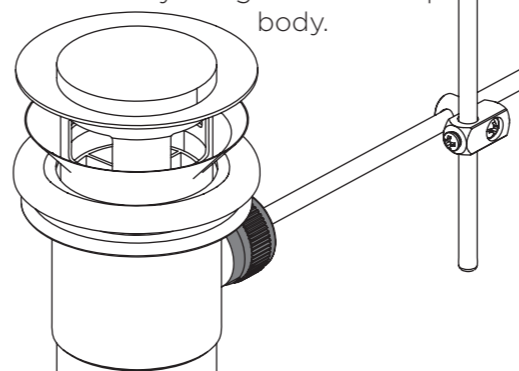
Your taps or shower should be regularly cleaned with warm water, a mild pH-neutral liquid soap, and polished with a soft cloth. Any residues from soap, toothpaste, shampoos and shower gels can cause blemishes if not rinsed off straight after use.

Household bleaches and cleaners contain harsh chemicals and may damage the surface finish. Avoid using abrasive cloths, scouring pads, scrub sponges, steel wool or anything similar.

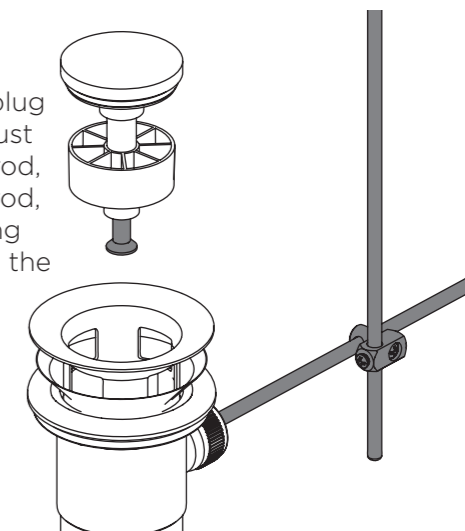
Some surfaces such as nickel and pewter may be affected by the dye found in some cloths, so it is also important to avoid hanging cloths on spouts.

Adjusting the Waste

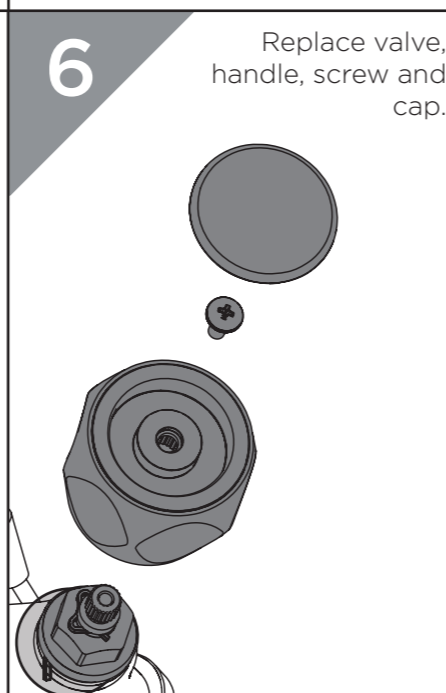
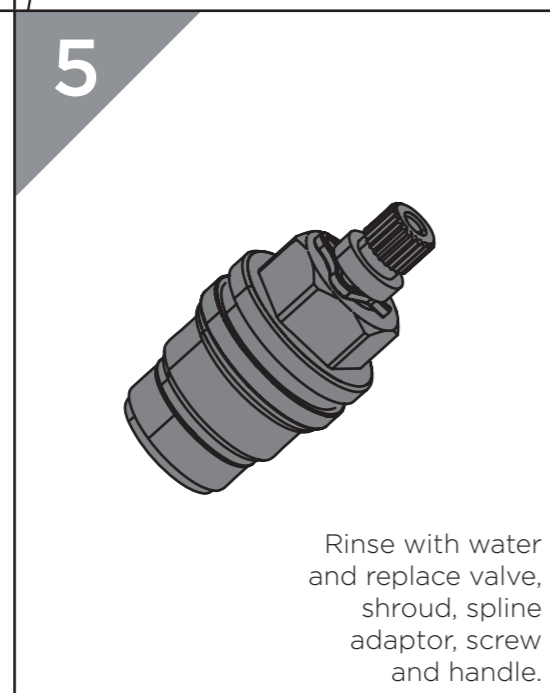
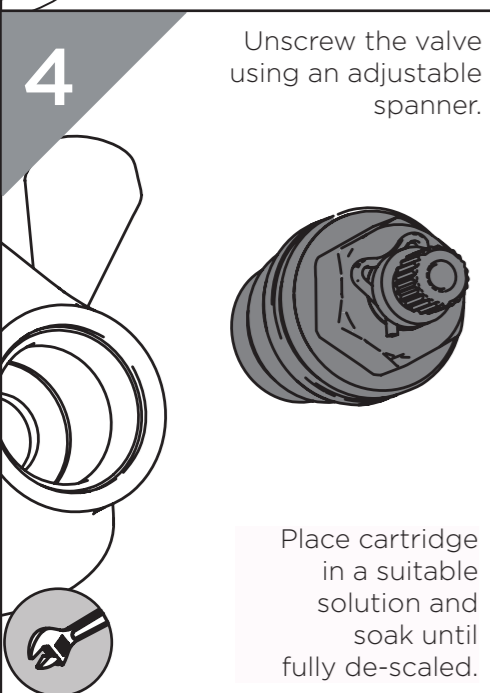
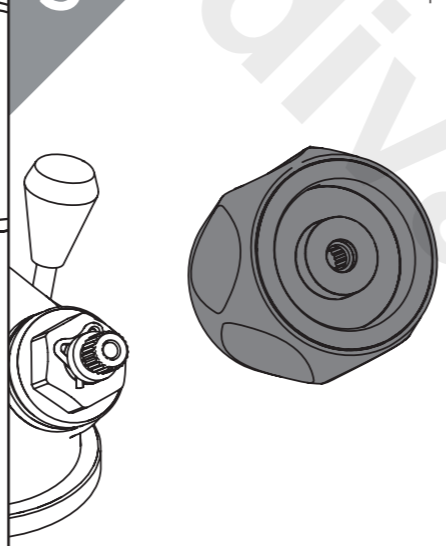
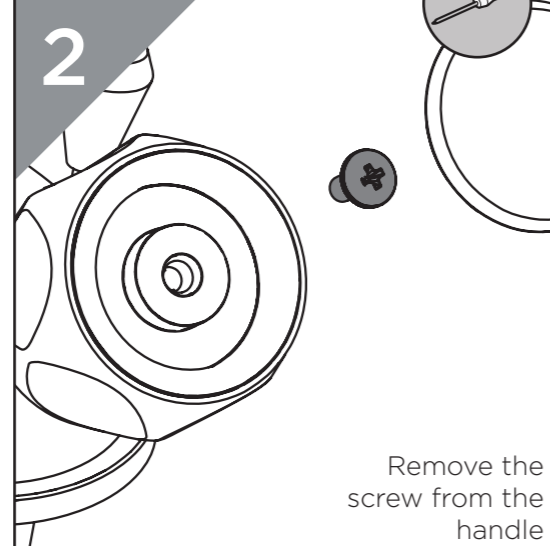
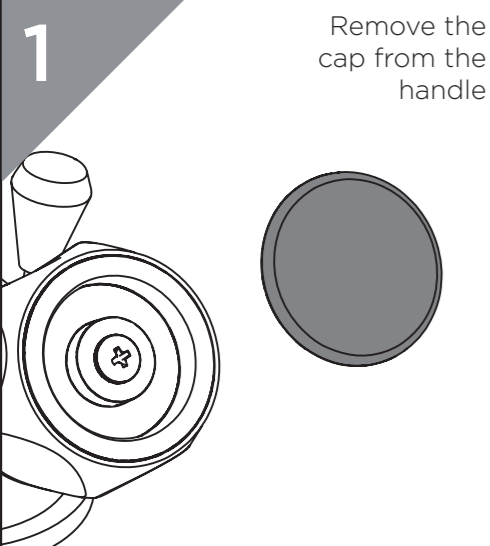
Adjust the friction for the waste mechanism by using the waste cap body.



To set the plug height adjust the waste rod, operating rod, connecting bracket and the screw.



Maintenance - Cartridge Cleaning



Troubleshooting

Symptom	Cause	Remedy
No flow or low flow rate	Partially closed isolation valve.	Open isolation valve.
	Instantaneous water heater cycles on and off as flow rate or pressure is too low.	Increase water flow rate or pressure through system.
	Head of water is below the minimum distance required.	Refer to specification for minimum distance required.
	Hot or cold water being drawn off elsewhere causing pressure changes or instantaneous boiler temperature changes.	Do not use other water outlets when using the taps.
	Airlock or partial blockage in the supply pipework.	Flush through pipework to ensure removal of debris and any airlocks.
Water dripping from taps	This is normal for a short time after using the taps.	This is caused by residual water tension, the build up of water in the tap body.
	If water continues to drip, possibly due to the ceramic disc valves	Remove valves and clean, refer to 'Maintenance' section before starting any maintenance.
Taps do not turn on	Closed isolation valve.	Open isolation valve.
	Mains water supply turned off.	Turn on mains water supply.

Notes

Please use this space for any notes you or your installer may have regarding the installation/plumbing of this product.

At Bristan, we want to make things as easy as possible for our customers. That's why we offer solid guarantees on all our products, effective from the date of purchase, to give you peace of mind.

To start your free guarantee simply scan the QR code and register your product. Alternatively visit www.bristan.com/register to register your product via a computer.

For full guarantee terms and conditions visit www.bristan.com/guarantees.



We Know & We Care